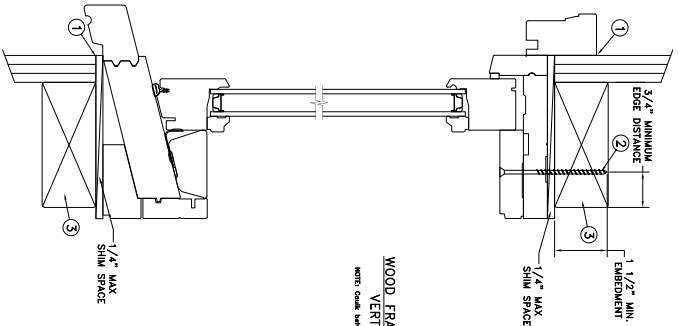


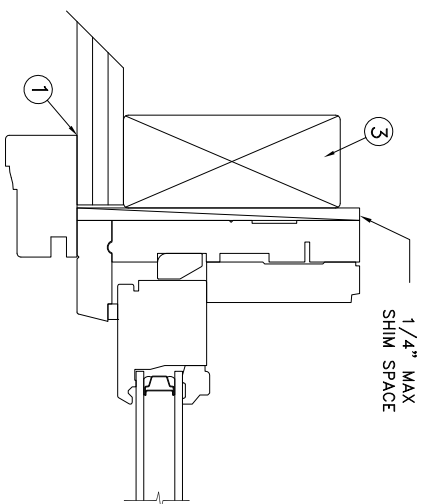
TYPICAL ELEVATION WITH FASTENER SPACING



WOOD FRAME SECTION (TYP)  
VERTICAL SECTION  
NOTE: Caulk between Brickmould & Wood Opening.

**General Notes:**

1. The product shown herein is designed, tested and manufactured to comply with the wind load criteria of the adopted International Building Code (IBC), the International Residential Code (IRC), the Florida Building Code (FBC) and the Industry requirement for the stated conditions.
2. All glazing shall conform to ASTM E1300.
3. At minimum, glazing shall be double strength annealed insulating glass.
4. Use structural or composite shims where required.



FRAME JAMB SECTION (TYP)  
HORIZONTAL SECTION  
NOTE: Caulk between Brickmould & Wood Opening.

Max Frame	DP	IMPACT
77 3/8 x 48	+50/-55	NO

THROUGH FRAME  
INSTALLATION

**Installation Notes:**

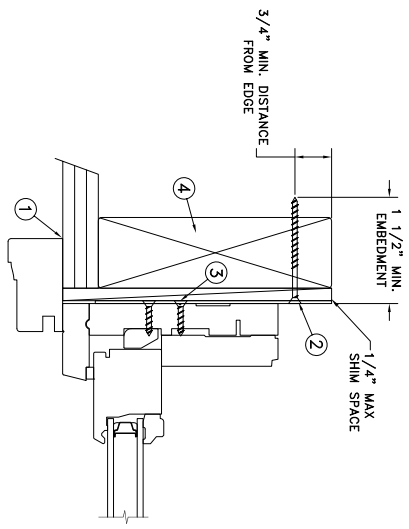
1. Seal brickmould/frame to substrate.
2. Use #8 PH or greater fastener through the frame on all sides with sufficient length to penetrate a minimum of 1 1/2" into the wood framing. For 2x wood frame substrate (min. S.G. = 0.42)
3. Host structure (wood buck, masonry, steel) to be designed and anchored to properly transfer all loads to the structure. The host structure is the responsibility of the architect or engineer of record for the project of installation.

This schedule addresses only the fasteners required to anchor the window to achieve the rated design pressure and impact performance (where applicable) up to the size limitations noted. It is not intended as a guide to the installation process and does not address he sealing consideration that may arise in different wall conditions. For the complete installation procedure, see the instructions packaged with the window or go to [www.jeld-wen.com/resources/installation](http://www.jeld-wen.com/resources/installation).

**DISCLAIMER:**  
This drawing and its contents are confidential and are not to be reproduced or copied in whole or in part or used or disclosed to others except as authorized by JELD-WEN Inc.

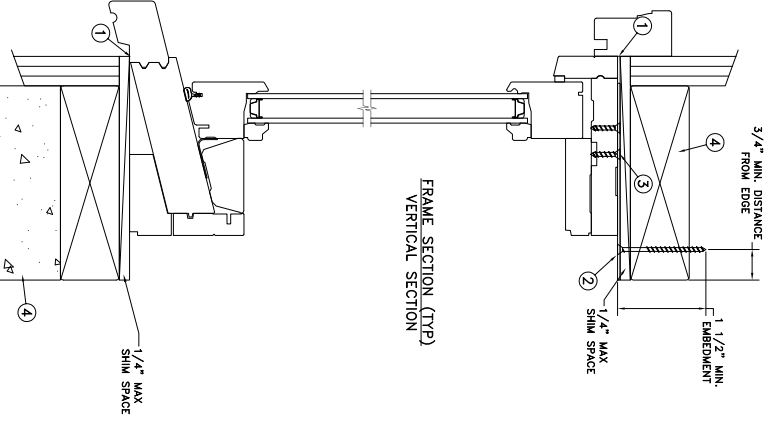
PROJECT ENGINEER:	DATE:	3737 LAKEPORT BLVD.
DRAWN BY: J.HAWKINS	09/13/2017	KLAMATH FALLS OR, 97601
CHECKED BY: C.ABBOTT	SCALE: NTS	PHONE: (800) 535-3936
APPROVED BY: D.STOKES	TITLE: Custom Wood Double Hung Transom	
PART/PROJECT No.:		
D004414		
IDENTIFIER No.:		
-		
PLANT NAME AND LOCATION: Bend-OR	CAD DWG. No.:	REV: A
	Cust\WDD\Trian Cert	SHEET

MASONRY STRAP  
INSTALLATION

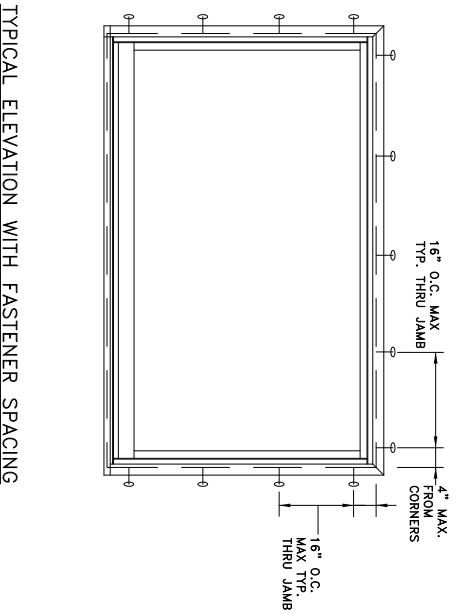


FRAME JAMB SECTION (TYP)  
HORIZONTAL SECTION

Max Frame	DP	IMPACT
77 3/8 x 48	+50/-55	NO



FRAME SECTION (TYP)  
VERTICAL SECTION



TYPICAL ELEVATION WITH FASTENER SPACING

- Installation Notes:**
1. Seal brickmould/frame to substrate.
  2. Use 2-#8 PFH or larger fasteners through masonry strap with sufficient length to penetrate a minimum of 1 1/2" into the masonry or buck. For concrete (min. fc = 3000 psi) or masonry substrate (CMU shall adhere to ASTM C90).
  3. Use 2-#8 PFH or larger fasteners through masonry strap into jamb without penetrating through the jamb into product causing visability or collateral damage to product.
  4. Host structure (wood buck, masonry, steel) to be designed and anchored to properly transfer all loads to the structure. The host structure is the responsibility of the architect or engineer of record for the project of installation.

- General Notes:**
1. The product shown herein is designed, tested and manufactured to comply with the wind load criteria of the adopted International Building Code (IBC), the International Residential Code (IRC), the Florida Building Code (FBC) and the Industry requirement for the stated conditions.
  2. All glazing shall conform to ASTM E1300.
  3. At minimum, glazing shall be double strength annealed insulating glass.
  4. Use structural or composite shims where required.

This schedule addresses only the fasteners required to anchor the window to achieve the rated design pressure and impact performance (where applicable) up to the size limitations noted. It is not intended as a guide to the installation process and does not address he sealing consideration that may arise in different wall conditions. For the complete installation procedure, see the instructions packaged with the window or go to [www.jeld-wen.com/resources/installation](http://www.jeld-wen.com/resources/installation).

**DISCLAIMER:**  
This drawing and its contents are confidential and are not to be reproduced or copied in whole or in part or used or disclosed to others except as authorized by JELD-WEN Inc.

PROJECT ENGINEER:	DATE:	09/13/2017
DRAWN BY:	SCALE:	NTS
CHECKED BY:	<p style="text-align: center;"><b>JELD-WEN</b> 3737 LAKEPORT BLVD. KLAMATH FALLS OR, 97601 PHONE: (800) 535-3936</p>	
APPROVED BY:		
PART/PROJECT No.:		
IDENTIFIER No.:		
PLANT NAME AND LOCATION:	CAID DWG. No.:	REV:
Bend-OR	Cust\WDDHT\ran Cert	A
TITLE:		SHEET
Custom Wood Double Hung Transom		